

SPKGSP0 series

Cast nylon flanged wheels



220–3,000 kg

Tread and tyre hardness
 80 Shore D

Smooth operation / floor preservation
 satisfactory

Rolling resistance
 excellent

Wear resistance
 very good

- Wheel:**
- high-quality cast nylon, impact resistant, hardness 80 Shore D
 - 3° taper tread to axle
 - very low rolling resistance
 - high abrasion resistance
 - colour natural beige

- Other features:**
- high chemical resistance to many aggressive substances
 - operating temperature: -20 °C to +80 °C, reduced load capacity over +35 °C
 - the load capacities provided in the table refer to the allocation of flanged wheels to rail profiles in accordance with DIN 536 specified below (crane rail standard):
 SPKGSP0 50G–SPKGSP0 200K,
 SPKGSP0 250K: A45
 SPKGSP0 201K, SPKGSP0 251K: A55

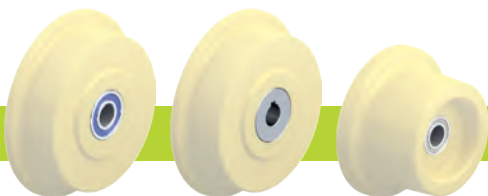
- Additional details:**
- wheel series: page 74
 - tread: page 57
 - bearing types: page 84–85
 - chemical resistance: page 51

Flanged wheels	Wheel Ø without flange (D) [mm]	Wheel Ø incl. flange (D1) [mm]	Wheel width (T2) [mm]	Running width (T3) [mm]	Flange location (T4) [mm]	Load capacity [kg]	Bearing type	Axle bore Ø (d) [mm]	Hub length (T1) [mm]
SPKGSP0 50G	50	62	32	26	6	220	plain bore	15	32
SPKGSP0 50K	50	62	32	26	6	220	ball bearing	15	32
SPKGSP0 75G	75	100	40	30	13.5	380	plain bore	20	47
SPKGSP0 75K	75	100	40	30	13.5	380	ball bearing	20	47
SPKGSP0 100K	100	125	46	36	13	600	ball bearing	20	52
SPKGSP0 125K	125	145	46	36	13	750	ball bearing	20	52
SPKGSP0 150K	150	175	46	36	13	900	ball bearing	20	52
SPKGSP0 200K	200	230	53	38	20	1,300	ball bearing	25	60
SPKGSP0 201K	200	230	80	60	25	2,500	ball bearing	40	90
SPKGSP0 250K	250	300	65	50	17.5	2,100	ball bearing	30	70
SPKGSP0 251K	250	300	80	60	25	3,000	ball bearing	40	90

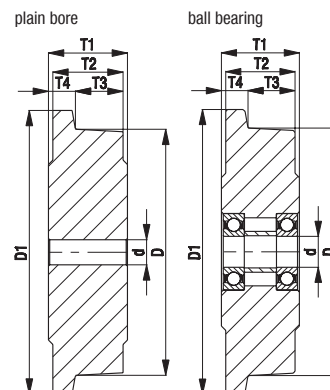
Other dimensions available upon request

14

Versions / options



	with stainless steel ball bearing in the wheel hub	drive wheel with hub keyway	other versions
Technical description page	84		
Product code suffix	-XK	SPKGSPON series	
Available for	upon request*	upon request	upon request



* Some dimensions may result in reduced load capacities