

PO series, wheel Ø 50–125x40 mm

Nylon wheels



75–300 kg

Tread and tyre hardness

70 Shore D

Smooth operation / floor preservation

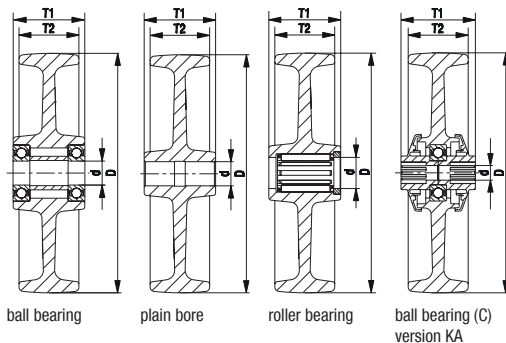
satisfactory

Rolling resistance

excellent

Wear resistance

good



Wheel:

- high-quality nylon 6, impact resistant, hardness 70 Shore D
- excellent rolling and swivel resistance
- easy operation on smooth surfaces
- high abrasion resistance
- colour natural white

Other features:

- KA version: with synthetic thread guard, small
- KF version: with synthetic thread guard, large
- high chemical resistance to many aggressive substances
- operating temperature: -20 °C to +80 °C, reduced load capacity over +35 °C

Additional details:

- wheel series: page 69
- tread: page 57
- bearing types: page 84–85
- chemical resistance: page 51

Wheels	Wheel Ø (D) [mm]	Wheel width (T2) [mm]	Load capacity [kg]	Bearing type	Axle bore Ø (d) [mm]	Hub length (T1) [mm]
PO 50/8G	50	18	75	plain bore	8	22
PO 60/12G	60	29	150	plain bore	12	35
PO 60/8KF	60	32	150	ball bearing (C)	8	36
PO 76/8G	75	23	100	plain bore	8	29.5
PO 75/12G	75	32	200	plain bore	12	35
PO 75/12-45G	75	32	200	plain bore	12	45
PO 75/12R	75	32	200	roller bearing	12	35
PO 80/12G	80	32	220	plain bore	12	35
PO 80/12R	80	32	220	roller bearing	12	35
PO 80/8KA	80	32	220	ball bearing (C)	8	36
PO 82/15G	80	37	230	plain bore	15	45
PO 82/15R	80	37	230	roller bearing	15	45
PO 82/15K	80	37	250	ball bearing	15	45
PO 101/12G	100	32	240	plain bore	12	35
PO 100/12G	100	37	280	plain bore	12	45
PO 100/15G	100	37	280	plain bore	15	45
PO 100/12R	100	37	280	roller bearing	12	45
PO 100/15R	100	37	280	roller bearing	15	45
PO 100/8KA	100	37	280	ball bearing (C)	8	46
PO 100/10KA	100	37	280	ball bearing (C)	10	46
PO 126/12G	125	32	260	plain bore	12	35
PO 125/12G	125	40	300	plain bore	12	45
PO 125/15G	125	40	300	plain bore	15	45
PO 125/20G	125	40	300	plain bore	20	45
PO 125/12R	125	40	300	roller bearing	12	45
PO 125/15R	125	40	300	roller bearing	15	45
PO 125/8KA	125	40	300	ball bearing (C)	8	46
PO 125/10KA	125	40	300	ball bearing (C)	10	46

For other wheel Ø, see next page

Versions / options



	electrically conductive version, non-marking grey	with stainless steel roller bearing in the wheel hub	with stainless steel ball bearing and thread guard	wheel in special colour blue
Technical description page	50	84	84–85	
Product code suffix	-ELS	-XR	-XKA / -XKF	-C5017
Available for	see series PO...-ELS (page 435)	all roller bearing wheels	version ball bearing (C)	PO 100/12G, PO 125/15G