

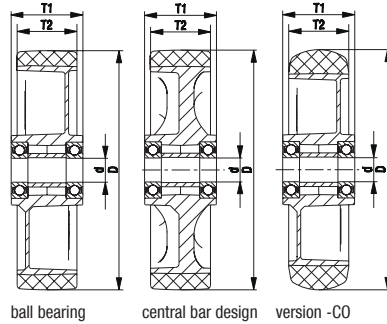
## ALH...-AS series

**Heavy-duty wheels**  
with **Blickle Extrathane®** polyurethane tread,  
with aluminium wheel centre, antistatic



200–1,250 kg

<b>Tread and tyre hardness</b>	92 Shore A
<b>Smooth operation / floor preservation</b>	good
<b>Rolling resistance</b>	very good
<b>Wear resistance</b>	excellent



- Tread:**
- high-quality polyurethane elastomer Blickle Extrathane®, hardness 92 Shore A
  - low rolling resistance
  - high abrasion resistance
  - high cut and tear propagation resistance
  - colour grey, non-marking, non-staining
  - excellent chemical connection with the wheel centre

- Wheel centre:**
- die-cast aluminium

- Other features:**
- high chemical resistance to many aggressive substances
  - operating temperature: -20 °C to +70 °C, temporarily up to +90 °C, reduced load capacity over +40 °C
  - electrical conductivity (ohmic resistance)  $\leq 10^7 \Omega$

- Additional details:**
- wheel series: page 65
  - tread: page 55
  - bearing types: page 84–85
  - chemical resistance: page 51

Wheels	Wheel Ø (D) [mm]	Wheel width (T2) [mm]	Load capacity at 4 km/h [kg]	Load capacity at 10 km/h [kg]	Bearing type	Axle bore Ø (d) [mm]	Hub length (T1) [mm]
ALH 80/15K-AS	80	30	200	–	ball bearing	15	35
ALH 100/15K-AS	100	40	350	–	ball bearing	15	45
ALH 101/15K-AS *	100	40	420	–	ball bearing	15	40
ALH 101/15K-AS-CO *	100	40	420	–	ball bearing	15	40
ALH 125/15K-AS	125	40	550	–	ball bearing	15	45
ALH 125/15K-AS-CO	125	40	550	–	ball bearing	15	45
ALH 127/20K-AS	125	54	750	370	ball bearing	20	60
ALH 151/15K-AS	150	40	400	200	ball bearing	15	60
ALH 150/20K-AS	150	50	650	320	ball bearing	20	60
ALH 152/20K-AS *	150	54	900	450	ball bearing	20	60
ALH 160/20K-AS	160	50	750	370	ball bearing	20	60
ALH 160/20K-AS-CO	160	50	750	300	ball bearing	20	60
ALH 162/20K-AS *	160	50	950	470	ball bearing	20	60
ALH 180/20K-AS	180	50	700	350	ball bearing	20	60
ALH 200/20K-AS	200	50	800	400	ball bearing	20	60
ALH 200/20K-AS-CO	200	50	800	320	ball bearing	20	60
ALH 200/25K-AS	200	50	800	400	ball bearing	25	60
ALH 200/25K-AS-CO	200	50	800	320	ball bearing	25	60
ALH 202/20K-AS *	200	50	1,000	500	ball bearing	20	60
ALH 250/25K-AS	250	60	1,000	500	ball bearing	25	70
ALH 252/25K-AS *	250	60	1,250	620	ball bearing	25	70

\*With heavy-duty wheel centre, reinforced design

## Castor series



	L-ALH	LK-ALH	LKR-ALH	LH-ALH	LHZ-ALH	LUH-ALH	LO-ALH
Page	275	276	277	278	279	280	281
Load capacity class							
Available for	wheel Ø 80–250 mm	wheel Ø 80–200 mm	wheel Ø 80, 100, 125x40 mm	wheel Ø 80–250 mm	wheel Ø 125x54, 160, 200 mm	wheel Ø 125x54, 150, 160, 200 mm	wheel Ø 125x54, 150, 160, 200, 250 mm