

# PO series, wheel Ø 125x50–300 mm

## Nylon wheels



350–1,500 kg

**Tread and tyre hardness**

70 Shore D

**Smooth operation / floor preservation**

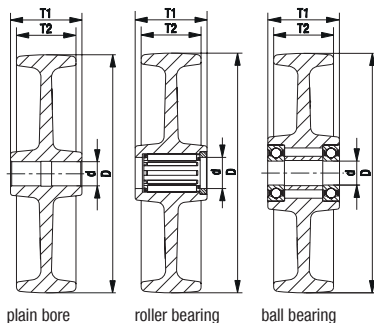
satisfactory

**Rolling resistance**

excellent

**Wear resistance**

good



plain bore      roller bearing      ball bearing

**Wheel:**

- high-quality nylon 6, impact resistant, hardness 70 Shore D
- excellent rolling and swivel resistance
- easy operation on smooth surfaces
- high abrasion resistance
- colour natural white

**Other features:**

- high chemical resistance to many aggressive substances
- operating temperature: -20 °C to +80 °C, reduced load capacity over +35 °C

**Additional details:**

- wheel series: page 69
- tread: page 57
- bearing types: page 84–85
- chemical resistance: page 51

Wheels	Wheel Ø (D) [mm]	Wheel width (T2) [mm]	Load capacity [kg]	Bearing type	Axle bore Ø (d) [mm]	Hub length (T1) [mm]
PO 127/20R	125	50	400	roller bearing	20	60
PO 127/20K	125	50	400	ball bearing	20	60
PO 151/15G	150	40	350	plain bore	15	50
PO 151/20G	150	40	350	plain bore	20	50
PO 150/20G	150	50	400	plain bore	20	60
PO 150/20R	150	50	400	roller bearing	20	60
PO 150/20K	150	50	400	ball bearing	20	60
PO 160/20G	160	50	450	plain bore	20	60
PO 160/20R	160	50	450	roller bearing	20	60
PO 160/20K	160	50	450	ball bearing	20	60
PO 175/20G	175	50	500	plain bore	20	60
PO 175/20R	175	50	500	roller bearing	20	60
PO 175/20K	175	50	500	ball bearing	20	60
PO 201/15G	200	40	500	plain bore	15	50
PO 201/20G	200	40	500	plain bore	20	50
PO 200/20G	200	50	600	plain bore	20	60
PO 200/20R	200	50	600	roller bearing	20	60
PO 200/20K	200	50	600	ball bearing	20	60
PO 200/25K	200	50	600	ball bearing	25	60
PO 250/25G	250	50	1,000	plain bore	25	60
PO 250/25K	250	50	1,000	ball bearing	25	60
PO 300/30G	300	55	1,500	plain bore	30	65
PO 300/30K	300	55	1,500	ball bearing	30	65

6

### Versions / options



	electrically conductive version, non-marking grey	with grease nipple	with stainless steel roller bearing in the wheel hub	with stainless steel ball bearing in the wheel hub	wheel in special colour blue
Technical description page	50		84	84	
Product code suffix	-ELS	-NI	-XR	-XK	-C5017
Available for	see series PO...-ELS (page 435)	upon request	all roller bearing wheels	all ball bearing wheels	PO 151/20G, PO 200/20G