

POTH series

Wheels with thermoplastic polyurethane tread, with heavy-duty nylon wheel centre



200–1,000 kg

Tread and tyre hardness

94 Shore A

Smooth operation / floor preservation

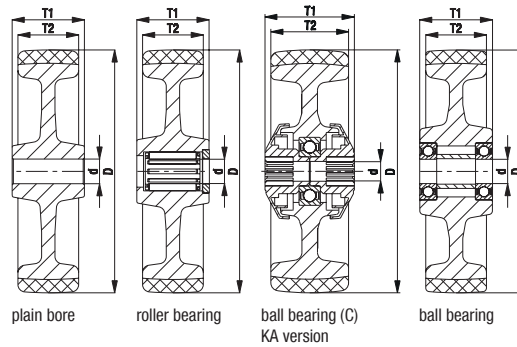
good

Rolling resistance

very good

Wear resistance

very good



Tread:

- high-quality thermoplastic polyurethane (TPU), hardness 94 Shore A
- low rolling and swivel resistance
- high abrasion resistance
- colour dark grey, non-marking, non-staining
- chemically-bonded inseparable connection with the wheel centre

Wheel centre:

- high-quality nylon 6, impact resistant
- colour natural white

Other features:

- KA version: with synthetic thread guard, small
- very high chemical resistance to many aggressive substances
- operating temperature: -20 °C to +70 °C, temporarily up to +90 °C, reduced load capacity over +35 °C

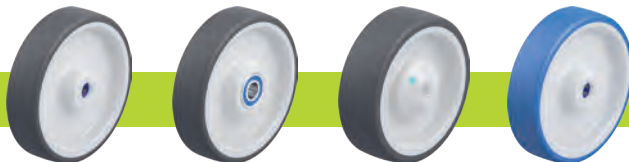
Additional details:

- wheel series: page 65
- tread: page 55
- bearing types: page 84–85
- chemical resistance: page 51

Wheels	Wheel Ø (D) [mm]	Wheel width (T2) [mm]	Load capacity [kg]	Bearing type	Axle bore Ø (d) [mm]	Hub length (T1) [mm]
POTH 75/15G	75	37	200	plain bore	15	45
POTH 75/15R	75	37	200	roller bearing	15	45
POTH 100/12G	100	35	300	plain bore	12	45
POTH 100/15G	100	35	300	plain bore	15	45
POTH 100/12R	100	35	300	roller bearing	12	45
POTH 100/15R	100	35	300	roller bearing	15	45
POTH 100/8KA	100	35	300	ball bearing (C)	8	46
POTH 100/10KA	100	35	300	ball bearing (C)	10	46
POTH 100/15K	100	35	300	ball bearing	15	45
POTH 125/12G	125	40	350	plain bore	12	45
POTH 125/15G	125	40	350	plain bore	15	45
POTH 125/12R	125	40	350	roller bearing	12	45
POTH 125/15R	125	40	350	roller bearing	15	45
POTH 125/8KA	125	40	350	ball bearing (C)	8	46
POTH 125/10KA	125	40	350	ball bearing (C)	10	46
POTH 125/15K	125	40	350	ball bearing	15	45
POTH 150/20G	150	45	500	plain bore	20	60
POTH 150/20R	150	45	500	roller bearing	20	60
POTH 150/20K	150	45	500	ball bearing	20	60
POTH 160/20G	160	45	550	plain bore	20	60
POTH 160/20R	160	45	550	roller bearing	20	60
POTH 160/20K	160	45	550	ball bearing	20	60
POTH 200/20G	200	50	800	plain bore	20	60
POTH 200/20R	200	50	600	roller bearing	20	60
POTH 200/20K	200	50	800	ball bearing	20	60
POTH 200/25K	200	50	800	ball bearing	25	60
POTH 250/25G	250	50	1,000	plain bore	25	60
POTH 250/25K	250	50	1,000	ball bearing	25	60

5

Versions / options



	with stainless steel roller bearing in the wheel hub	with stainless steel ball bearing in the wheel hub	small thread guard with additional ball bearing seal	with corrosion-resistant wheel bearing and soft tread
Technical description page	84	84 / 85	85	270–273
Product code suffix	-XR	-XK / -XKA	-KAD	POTHS series
Available for	all	upon request	all ball bearings (C)	see series POTHS